

AV cabinet 955/956

Multimedia - AV cabinet is a solution for the needs of schools and other educational facilities, who require compact and closed cabinets for video equipment.

The AV 955 stand with wood finish (AV 956 in grey) offers several usage possibilities.

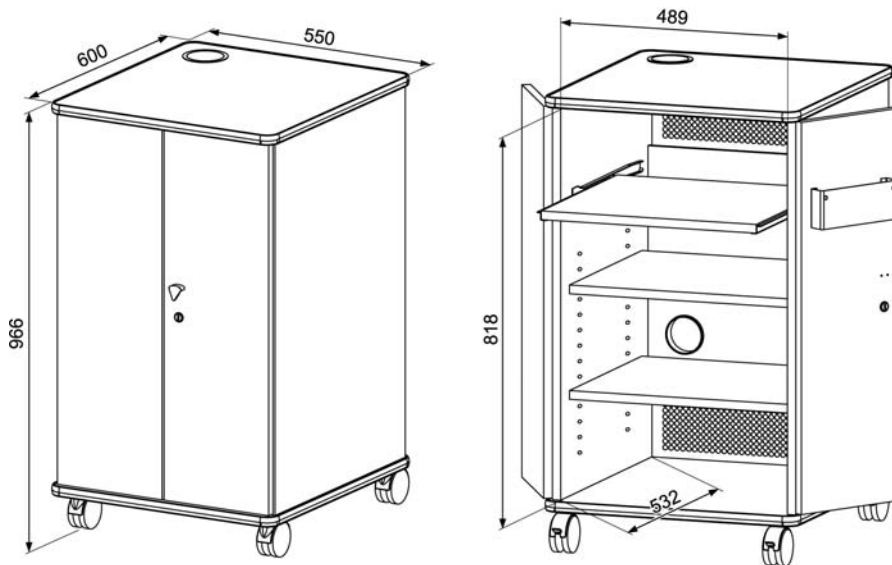
- extendable top shelf
- two height-adjustable shelves
- cable channels on top and rear
- door-lock
- door opens by 270°
- door pocket for miscellaneous items
- 4 wheels Ø 80mm (two with brakes)
- cable roller on the rear
- ventilation holes on the rear, protected by a net
- damage-proof tape on top and bottom

Optional:

- the stand is meant for 19" rack guides with 18HU (shelves are not included)



AV cabinet 955/956 measures



AV cabinet 955/956 types



AV cabinets 955 G/ 956 G have glass doors instead of wood doors.

AV cabinets 955 S/ 956 S have service doors on the back side. This allow user easy access to the component's cables.

Optional:

AV cabinets 955 GS/ 956 GS with glass and service doors.

