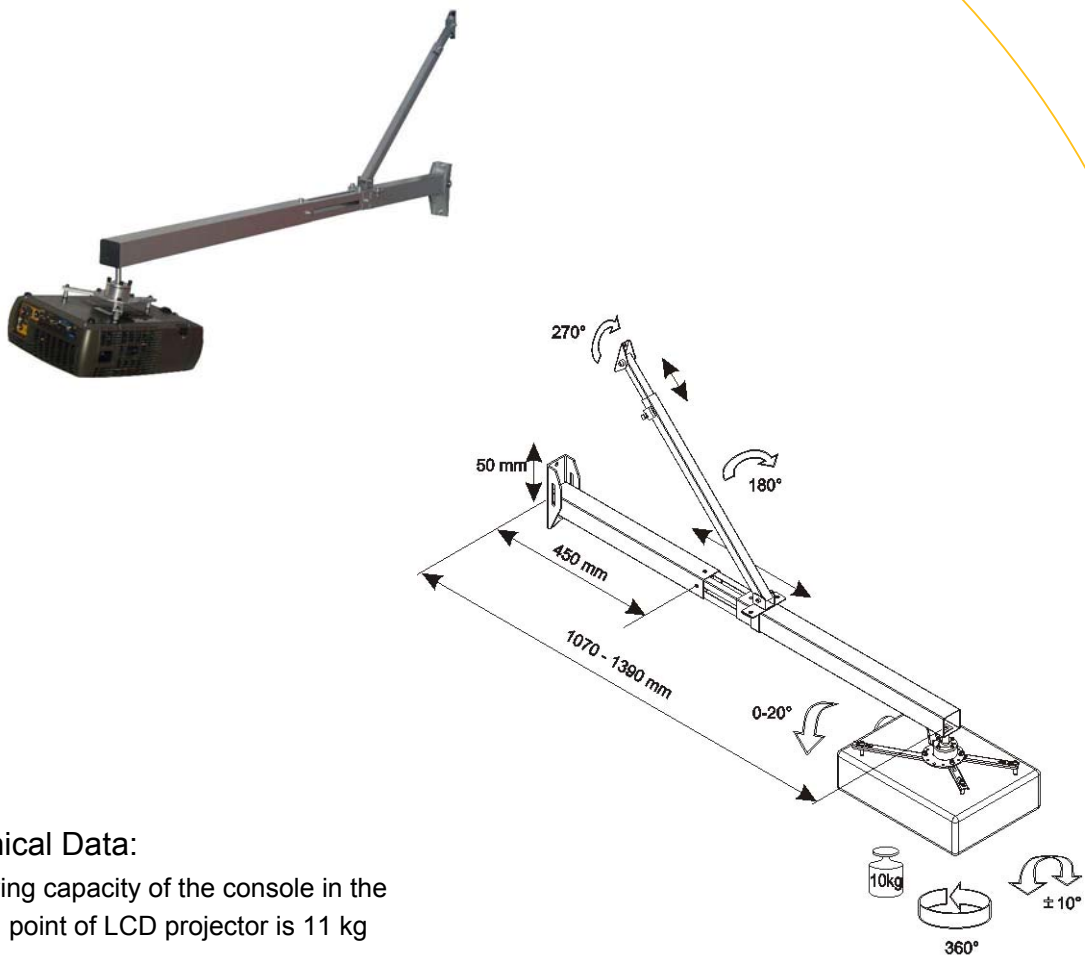


# WMC 39-140

## WMC 39-140 Adjustable wall-mount console

The console is designed for fitting of LCD projectors used for projection on interactive whiteboards. Specialized LCD projectors have different build-in wide-angled objectives. The console allows fitting on different distances from the whiteboard (minimum fixed fitting of 45 centimetres and continuous fitting in range between 107 and 139 centimetres from the whiteboard).



### Technical Data:

- Carrying capacity of the console in the fitting point of LCD projector is 11 kg
- Fitting range:
  - a) Fixed: 45 centimetres
  - b) Adjustable: 107-139 centimetres
- Range of vertical adjustment of the console in wall mount: 5 centimetres
- Fitting point allows for inclination of:
  - 20 degrees down / 0 degrees up
  - 10 degrees left or right
  - Revolving 360 degrees
- Colour: silver
- Cable management system
- Packing in cardboard packaging. Protected against dust and damages.