

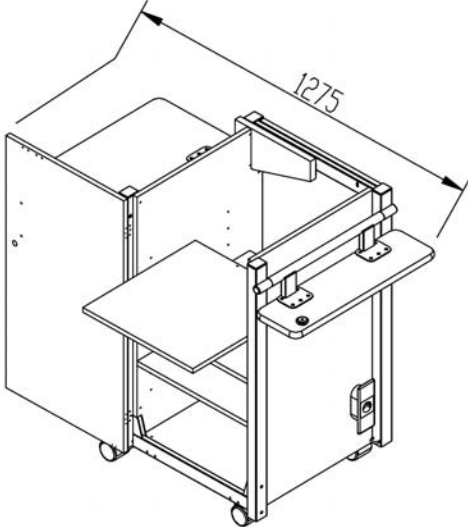
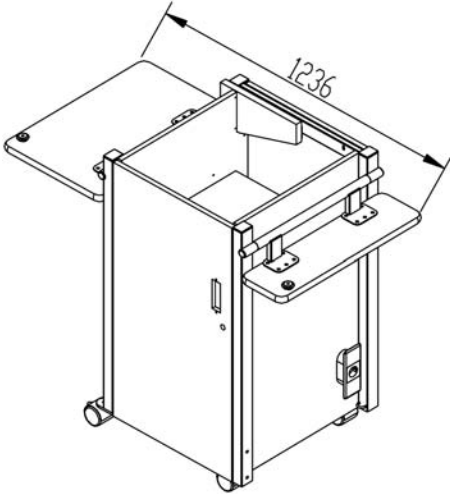
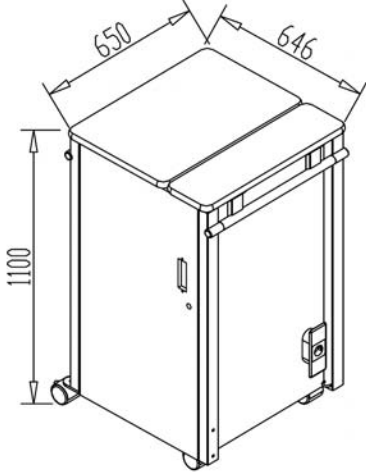
# AV cabinets

Multimedia - AV cabinet is a solution for the needs of schools and other educational facilities, who require compact and closed cabinets for video equipment.

- plenty of storage and shelf space for DVP, OHPs, laptops, PCs etc
- shelves are moveable
- openings at the front and back
- doors at the back you can only open when the cabinet is unlocked and open as well (due to safety reasons)
- lifting mechanism (AVC 600 - optional) allows permanent fixture of DVP
- pull-out-shelf (AVC 1100 only) offers comfortable work surface for keyboard.
- extra pull-out-drawer makes storing of office accessories easy
- built-in five-part power socket makes possible simultaneous connection of all equipment
- supplied 5-metre cable with roller and outer power socket
- cabinet stability is ensured by a metal frame, 1,8 cm wide sides and the bottom of the cabinet
- gas shock-absorbers ensure safe and convenient opening and closing of the lid
- rubberized wheels ensure easy transportation of the cabinet
- central-locking system efficiently secures equipment from theft, while an extra metal band makes chaining of the cabinet possible
- There is a possibility of "cable lock" within the cabinet.



# AV CABINET 600



· audio in video equipment are not included in the basic price

# AV CABINET 1100

AV cabinet 1100  
with built-in lifting mechanism and  
universal fixture for data/video projectors.

