

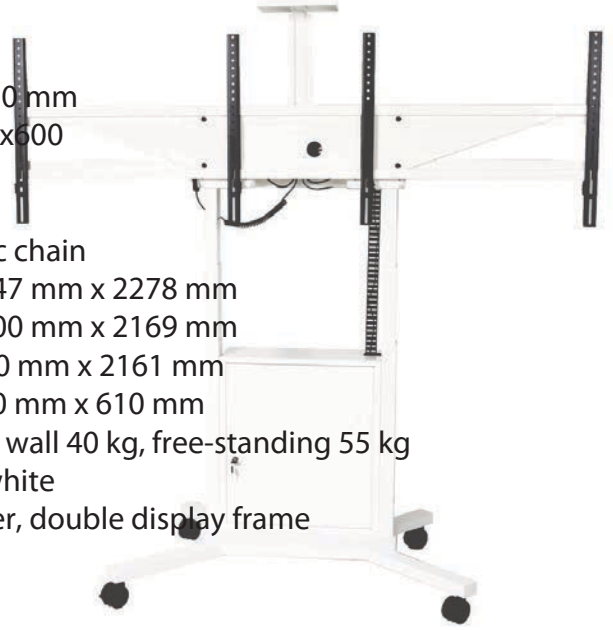
Stand ST 100

Vega ST-100 Display Stand efficiently combines two features crucial for any successful presentation: Its two column design offers an extremely stable and robust platform needed to mount and operate even large and heavy high-performance displays. Stroke of 100 cm and the speed of 36 mm/s ensure that virtually all possible height requirements are fulfilled and that the time needed to reach the desired position of the display is minimized. Three versions (wall, mobile and free-standing) with various degrees of mobility offer a comprehensive set of solutions to suit every possible need. In addition to these amazing characteristics the ST-100 incorporates an anti-collision feature which immediately stops the motor if and when it encounters an obstacle. Efficient cable management is implemented with the help of a robust plastic chain. Safety characteristics are complimented by ease of use (with programmable remote control that enables the user to set the maximum and minimum position of the mount) and practicality since mini PC and other devices can be safely stored inside the locker and easily connected to the TV.

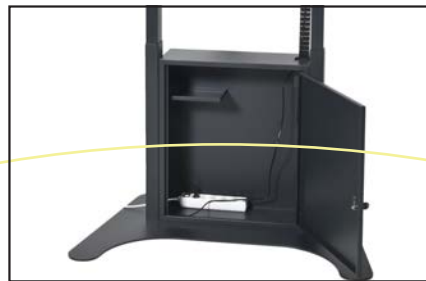


Stand ST 100 specifications

Type:	LCD display
Versions:	Mobile, wall, free-standing
Vertical travel (stroke):	100 cm
Speed of height adjustment:	35 mm/s
Centre to floor distance:	950 mm – 1930 mm
VESA:	200x200 - 800x600
Maximum Load Capacity:	120 Kg
Recommended Display Size:	≥ 50"
Cable Management:	Robust plastic chain
Dimension ST-100 mobile (W x D x H):	1155 mm x 747 mm x 2278 mm
Dimension ST-100 wall (W x D x H):	1045 mm x 700 mm x 2169 mm
Dimension ST-100 free-standing (W x D x H):	825 mm x 290 mm x 2161 mm
Locker dimensions (W x D x H):	340 mm x 150 mm x 610 mm
Weight:	Mobile 50 kg, wall 40 kg, free-standing 55 kg
Colour:	anthracite / white
Available accessories:	Camera holder, double display frame
Manufacturer Warranty:	2 years



Stand ST 100 details



Locker



ST 100 with plate



ST 100 wall version