

ST 25-2 / ST 25-C display trolley & cabinet

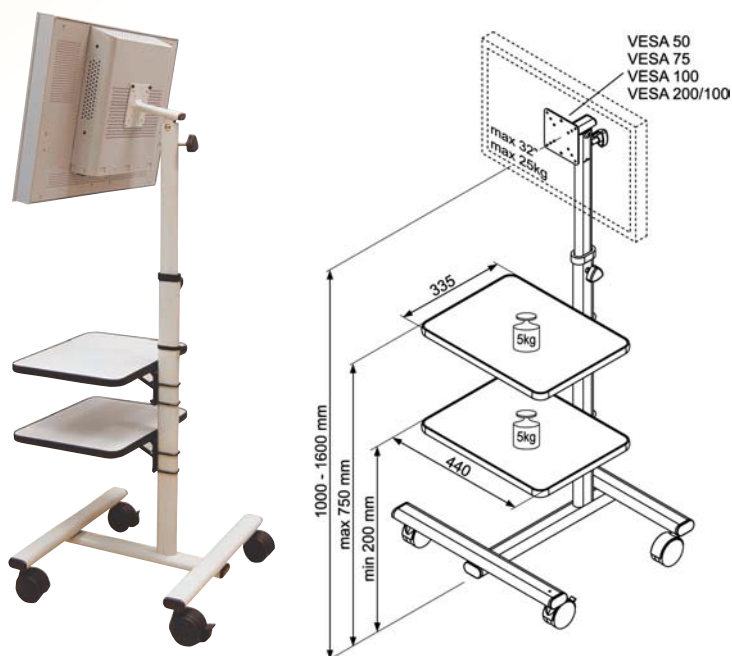
ST 25 - 2



LCD displays are being used more and more in all areas of presentations. There is almost always a problem of setting up or securing the display and storing it as well.

Our new trolley ST25-2 minimizes this problem - the display is securely fixed on the stand (VESA standard 50, 75, 100 and 200/100), while all other appliances (DVD and VCR) can be at hand on the lower, height-adjustable shelves.

- the height of the display (max size 32" and max weight 25 kg) can be adjusted to your needs, as well as the tilt angle (+/-12°)
- it is set up on the oval-tube construction, while \varnothing 80mm-wheels (two of them with breaks) enable mobility.
- specially developed against quick deconstruction to prevent unexpected theft of display
- security screw protects against unexpected falling of the display
- cable clamp for better cable appearance



ST 25 – C



- the ST 25-C model enables carefree storing of appliances in a locked cabinet, door opens by 270°, one shelf
- cable channels on top and rear
- it has oval-tube construction, while Ø 80 mm-wheels (two of them with brakes) enable mobility.
- damage-proof tape on top
- specially developed against quick deconstruction to prevent unexpected theft of display
- security screw to protect against unexpected falling of the display
- cable clamp for better cable appearance
- stand is also equipped with unique movement-damper, which prevents damage due to over-fast movement of the upper tube
- display is securely fixed on the stand (VESA standard 50, 75, 100 and 200/100),
- the height of the display (max size 32" and max weight 25 kg) can be adjusted to your needs, as well as the tilt angle (+/-12°)

Optional:

- the stand is meant for 19" rack conversion